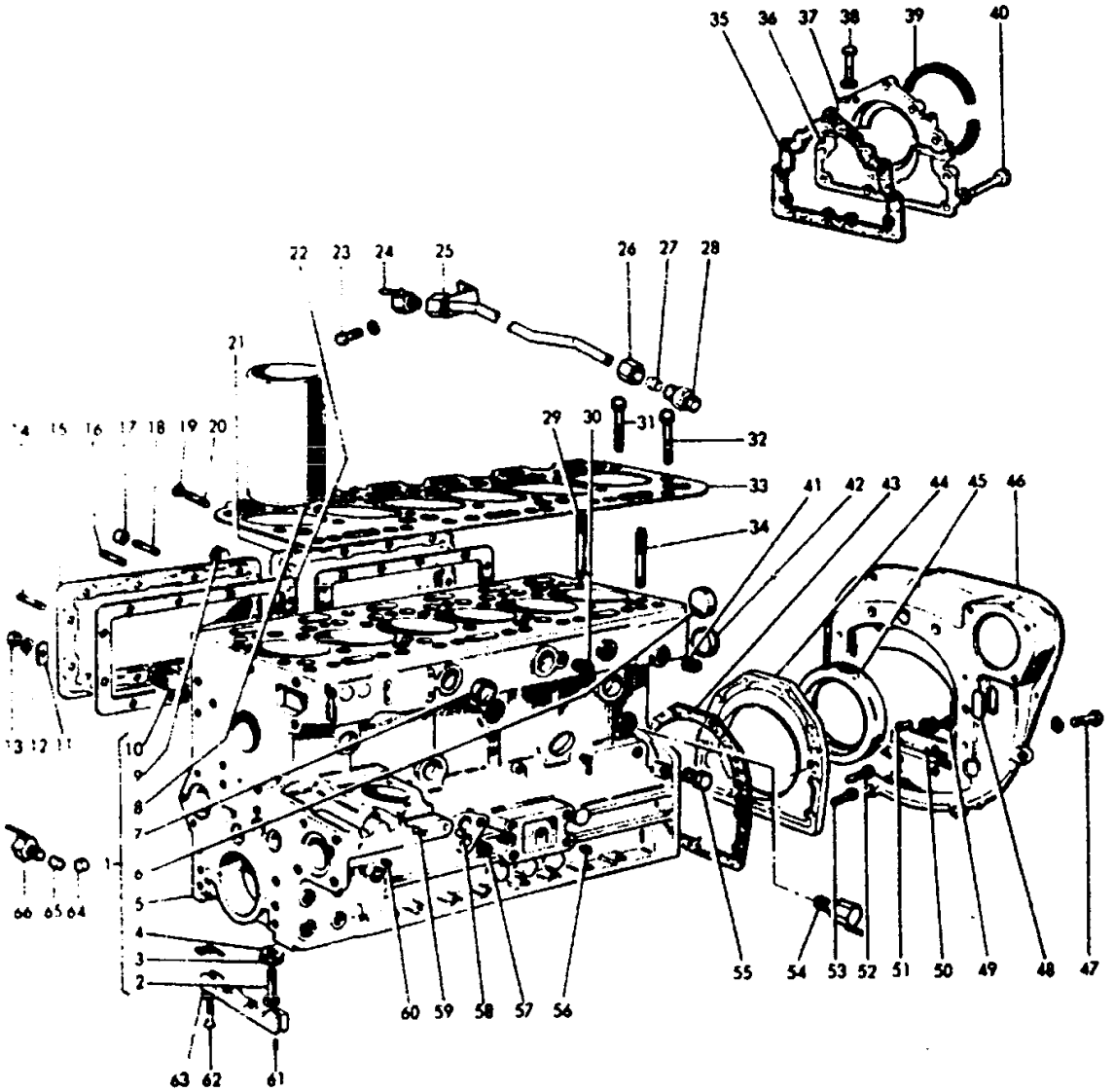


ZYLINDER BLOCK
 BLOQUE DEL MOTOR
 CYLINDER BLOCK



- 1
- 2
- 3
- 4
- 5
- 6
- 7
- 8
- 9
- 10
- 11
- 12
- 13
- 14
- 15
- 16
- 17
- 18
- 19
- 20
- 21
- 22
- 23
- 24
- 25
- 26
- 27
- 28
- 29
- 30
- 31
- 32
- 33
- 34
- 35
- 36
- 37
- 38
- 39
- 40
- 41
- 42
- 43
- 44
- 45
- 46
- 47
- 48
- 49
- 50

77-5583
 77-530

Imprimé en FRANCE

A.6354

1646 042 K3 (2) 11/77

E11

Imp

MASSEY FERGUSON

MF 507/520 COMBINE ENGINE, A6.354 - 1646042

1646042

CYLINDER BLOCK

1

Item	Part Number	Qty	Description	Comments
	94962	1	Cylinder Block	[B]
1	91626	1	Cylinder Block	[A]
2	32166314	14	SCREW	
3	0760001	14	Shim	
4	33142111	14	Thimble	
5	68441	1	BLOCK, CYLINDER	[C]
6	0650712	1	Plug	
7	0650563	7	Plug	
8	31358324	6	Liner	
9	32161114	1	Plug	
10	0650588	3	Plug	
11	36151505	24	WASHER/PLATE	
12	0920053	24	Washer	
13	0576002	24	Nut	
14	0826241	1	Stud	
15	37554114	1	Cover	
16	0826211	1	Stud	
17	33241511	1	Spacer	
18	0826227	1	Stud	
19	33134421	1	Distance Piece	
20	0826220	19	Stud	
21	37554118	1	Cover	
22	36846408	1	GASKET	
	0920054	1	Washer	
23	0748521	1	SCREW	
24	2461163	1	DRAINCOCK	
25	35736116	1	PIPE	
26	0576114	1	NUT	
27	0566005	1	Olive	
28	0206006	1	Union	
29	32526311	20	Stud	[D]
30	32114116	3	Plug	
31	32181424	10	SCREW	[E]
32	32181425	20	Screw	[E]
33	36812544	1	GASKET	
	32526312	2	Stud	[E]
34	32526312	12	Stud	[D]
35	36817136	1	GASKET	
36	59537	1	Housing	[F]
	59537	1	Housing	INCL. 36 TO 39
37	59537	1	Housing	[F]
	0920063	2	WASHER	
38	0096238	2	Bolt	
39	59537	1	Housing	[F]
	0920063	11	WASHER	
40	0746211	11	Bolt	
41	32417133	1	Plug	
42	32416105	1	Plug	
43	36817157	1	Joint	
44	37513851	1	Cover	[G]
45	2415391	1	Seal	
46	37147644	1	PLATE	
	0920004	6	Washer	
47	2186051	6	SCREW	
48	37813113	3	Plug	
	0920003	3	Washer	
49	0746253	3	Screw	
	0920063	3	WASHER	
50	36125305	1	Cover	
51	32456119	3	Dowel	
52	2172530	1	Capscrew	
	0920003	12	Washer	
53	0746211	12	Bolt	
54	31419	1	Tap	
	2431132	1	Plug	
55	2431131	1	Plug	
56	0650586	3	Plug	
57	32417117	1	Plug	
58	32417115	1	Plug	
59	32417134	3	Plug	

MASSEY FERGUSON**MF 507/520 COMBINE ENGINE, A6.354 - 1646042**

1646042

CYLINDER BLOCK**1**

Item	Part Number	Qty	Description	Comments
60	32417127	3	Plug	
61	32811408	4	Joint	
	0920521	4	Washer	
62	2176369	4	Screw	
63	36277831	2	Bridge Piece	
64	0650566	2	Plug	
65	33511418	1	Adaptor	
66	2461163	1	DRAINCOCK	

[A]

UP TO SERIAL NO. 354 UA 48969

[B]

FROM SERIAL NO 354 UA 48970

[C]

NOT SERVICED ORDER 68441-68446

[D]

UP TO SERIAL NO. 354 UA 32498

[E]

FROM SERIAL NO 354 UA 32499

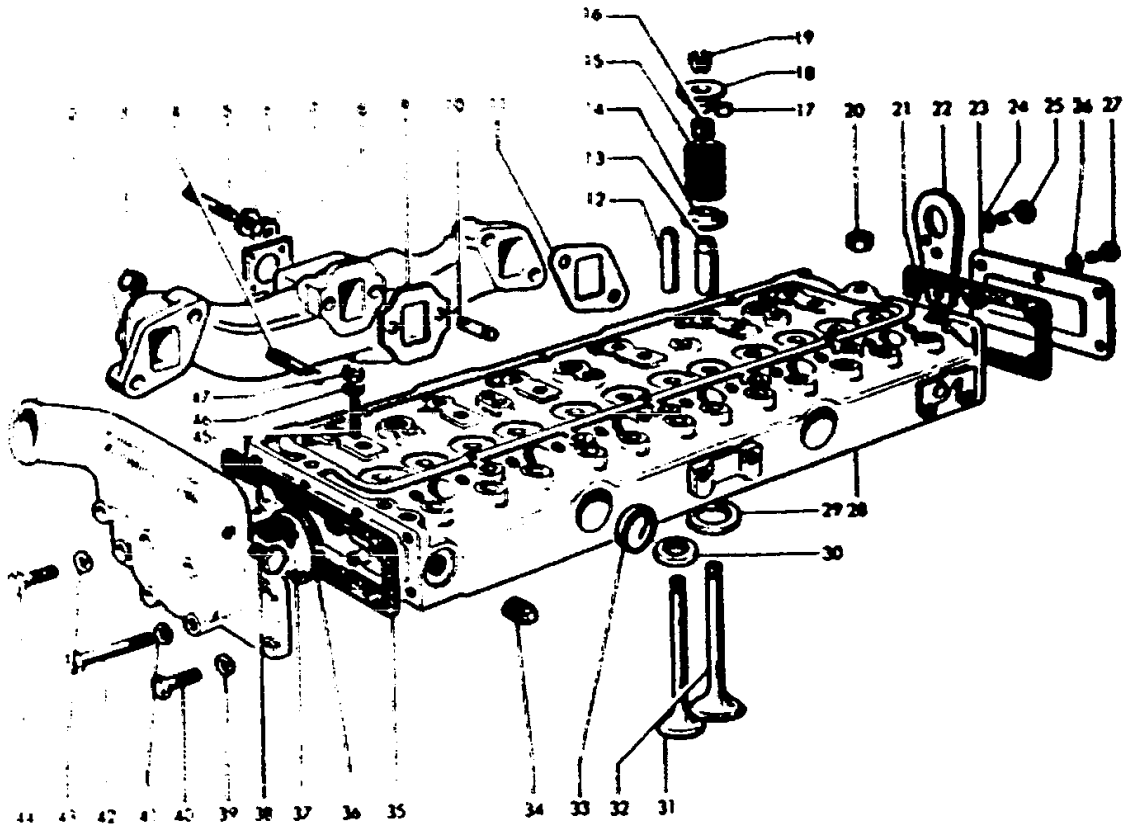
[F]

NOT SERVICED ORDER 59537

[G]

REPAIRS AND REPLACES 37513791

1.2.51
1.2.52
1.2.53
1.2.54



77-554

Imprimé en FRANCE

A.6354

1646 042 K3 (2) 11/77

E1

CYLINDER HEAD

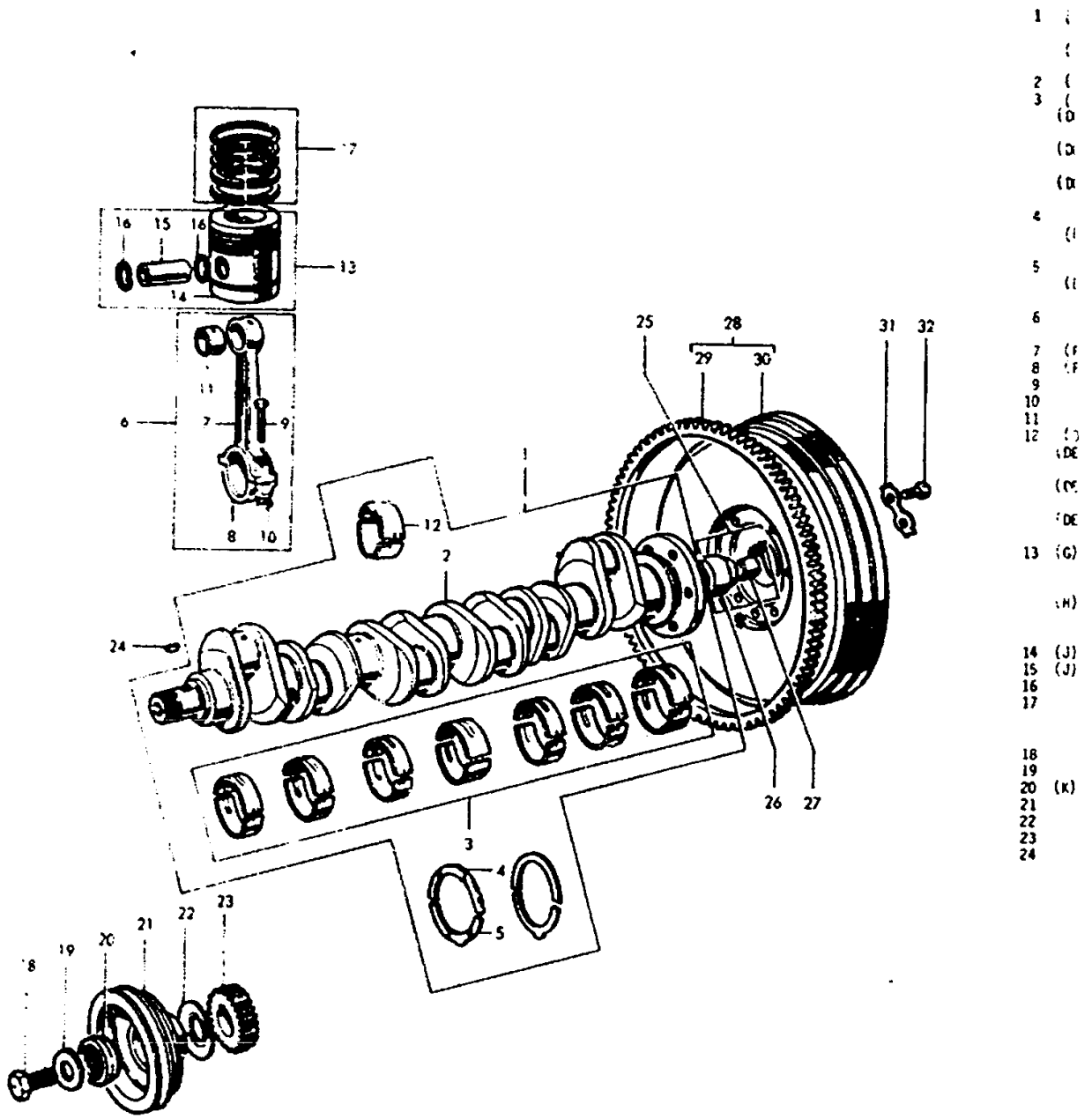
Item	Part Number	Qty	Description	Comments
1	41313001	1	BODY, WATER	[A]
	37782264	1	Exhaust Manifold	[C]
2	37782276	1	Exhaust Manifold	[B]
3	2188135	1	Nut	[D]
4	3826521	6	Stud	[F]
5	3827828	4	Stud	
6	0920004	4	Washer	
7	0574066	4	NUT	
8	36823117	1	GASKET	
9	36862129	1	GASKET	
	0626450	1	Stud	[F]
10	0626450	1	Stud	[E]
11	36862124	1	GASKET	
12	33261732	1	GUIDE, VALVE	
13	33261752	1	GUIDE, VALVE	
14	33123117	12	Washer	
15	0780272	12	SPRING	
16	33617125	1	DEFLECTOR	[G]
17	33617117	1	DEFLECTOR	
18	33423122	10	CAP	
19	33173108	24	Cotter	[A]
	33221316	1	NUT	[B]
20	33221315	1	NUT	[C]
21	0450486	1	Joint	
22	36177111	1	Plate	
23	0940737	1	COVER	
24	0920064	1	WASHER	
25	0746463	1	SCREW	
26	0920053	1	Washer	
27	0746254	6	Setscrew	
	94410	1	Cylinder Head	[A]
28	86579	1	Cylinder Head	23-33.
29	31125121	6	VALVE SEAT	
30	33152139	6	VALVE SEAT	
31	31431881	6	Valve Exhaust	[H]
32	31431641	6	Valve Inlet	
33	0460563	2	Plug	
34	2431154	4	Plug	
35	36846113	1	Joint	
36	31736112	1	CIRCLIPS	
37	2485662	1	Thermostat	
38	0650644	1	Plug	
39	0920054	2	Washer	
40	0096433	1	Bolt	
41	0920053	1	Washer	
42	0096239	1	Bolt	
43	0920063	1	WASHER	
44	0746211	1	Bolt	
45	0826403	1	Stud	
46	0920004	1	Washer	
47	0576065	1	NUT	

[A]
REPAIR AND REPLACE 37765411
[B]
REPAIR AND REPLACE 37782272
[C]
REPAIR AND REPLACE 37782262
[D]
REPAIR AND REPLACE 2211224
[E]
AVEC 37782272-37782262
[F]
AVEC 37782276-37782264
[G]
REPAIR AND REPLACE 33817402
[H]
SERVICED IN PAIR
[J]
UP TO SERIAL NO. 354 UA 32496

MASSEY FERGUSON**MF 507/520 COMBINE ENGINE, A6.354 - 1646042****1646042****CYLINDER HEAD****2**

Item	Part Number	Qty	Description	Comments
				[K] FROM SERIAL NO. 354 UA 32499
				[L] REPAIR AND REPLACE 86593
				[M] REPAIR AND REPLACE 31431104

COLEBREUIN
 CURBELWELLE
 CIGUENAL
 CRANKSHAFT



77-555

MADE IN FRANCE

A. 6354

1646 042 K3 (2) 11/77

F1 Imprimé

CRANKSHAFT

Item	Part Number	Qty	Description	Comments
	94468	1	Crankshaft	[B] INCL. 2 TO 5,12
1	86794	1	Crankshaft	[A] INCL. 2 TO 5,12
2	86794	1	Crankshaft	[C]
	85010A	1	BEARING KIT	[D, E]
3	85010	1	BEARING KIT	[D]
	85010B	1	BEARING KIT	[D, E]
	85010C	1	BEARING KIT	[D, E]
	31137312	1	Thrust Washer	[E]
4	31137311	2	Washer	
	31137322	1	Thrust Washer	[E]
5	31137321	2	Washer	
6	84920	6	Rod	INCL. 7 TO 11
7	84920	6	Rod	[F]
8	84920	6	Rod	[F]
9	32762116	12	Bolt	
10	33221321	12	NUT	
11	31134123	6	Bush	
	85043A	1	Kit, Bearing	[D, E]
12	85043	1	Kit, Bearing	[D]
	85043B	1	Kit, Bearing	[D, E]
	85043C	1	Kit, Bearing	[D, E]
	86740C	1	PISTON,030' O/S	
13	86740	6	Piston	[G] INCL. 14-16
	68314	6	Piston	[H] INCL. 14 TO 16
	68314C	1	PISTON,030' O/S	
14	86740	6	Piston	[J]
15	86740	6	Piston	[J]
16	0170002	12	Circlip	
	86776C	1	RING SET	
17	86776	6	RING SET	
18	32162319	1	SCREW	
19	33125124	1	Washer	
20	33171116	1	Bush	[K]
21	31155272	1	PULLEY	
22	33415311	1	Flange	
23	31171211	1	Gear	
24	0500012	1	Woodruff Key	
25	41425708	1	Adaptor	INCL. 26,27
26	41425708	1	Adaptor	[L]
27	2513246	1	Bush	
28	41117087	1	Flywheel	[M]
29	0410264	1	Gear,Starterring	
30	41117087	1	Flywheel	[N]
31	0921062	3	Tab Washer	
	32162203	6	Screw	
32	0746853	6	SCREW	

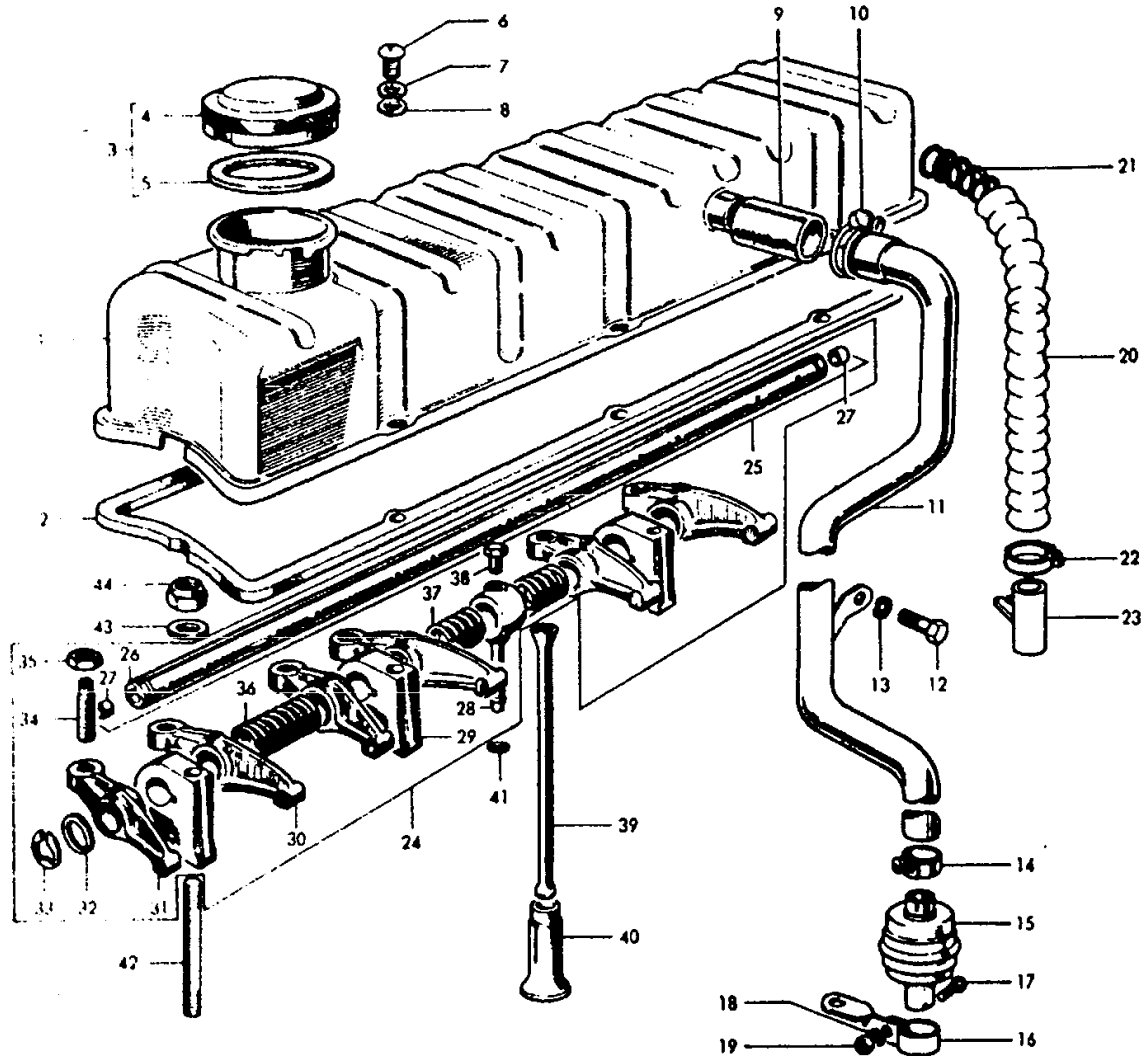
[A]
UP TO SERIAL NO. 354 UA 48 969 - INDUCTION HARDEN D
[B]
FROM SERIAL NO. 354 UA 489 70 - PREMIUM HARDENED
[C]
NOT SERVICED ORDER 86 794- 94 468
[D]
BEARINGS PREFINISHED
[E]
NOT INCLUDED IN 86 794 - 94 468
[F]
NOT SERVICED ORDER 84920
[G]
PISTONS PREFINISHED
[H]
PISTONS REQUIRE TOPPING
[J]
NOT SERVICED ORDER 86 740 - 68 314
[K]

MASSEY FERGUSON**MF 507/520 COMBINE ENGINE, A6.354 - 1646042****1646042****CRANKSHAFT****3**

Item	Part Number	Qty	Description	Comments
				REPAIR AND REPLACE 33177561
				[L]
				NOT SERVICED ORDER 41 425 708
				[M]
				REPAIR AND REPLACE 41 112 713 - 0999 854
				[N]
				NOT SERVICED ORDER 41 117 087

REF

CACHE CULBUTEURS
 ZYLINDERKOPFDECKEL
 TAPA DE CULATA
 CYLINDER HEAD COVER



- 1 (A)
- 2 (B)
- 3
- 4 (C)
- 5
- 6
- 7
- 8
- 9 (A)
- 10 (A)
- 11 (A)
- 12 (A)
- 13 (A)
- 14 (A)
- 15 (A)
- 16 (A)
- 17 (A)
- 18 (A)
- 19 (A)
- 20 (B)
- 21 (B)
- 22 (B)
- 23 (B)
- 24
- 25
- 26 (D)
- 27 (D)
- 28
- 29
- 30
- 31
- 32
- 33
- 34
- 35
- 36
- 37
- 38
- 39
- 40 (E)
- 41
- 42
- 43
- 44
- (A)
- (B)
- (C)
- (D)
- (E)

77-556

Imprimé en FRANCE

A.6354

1646 042 H3 (2) 11/77

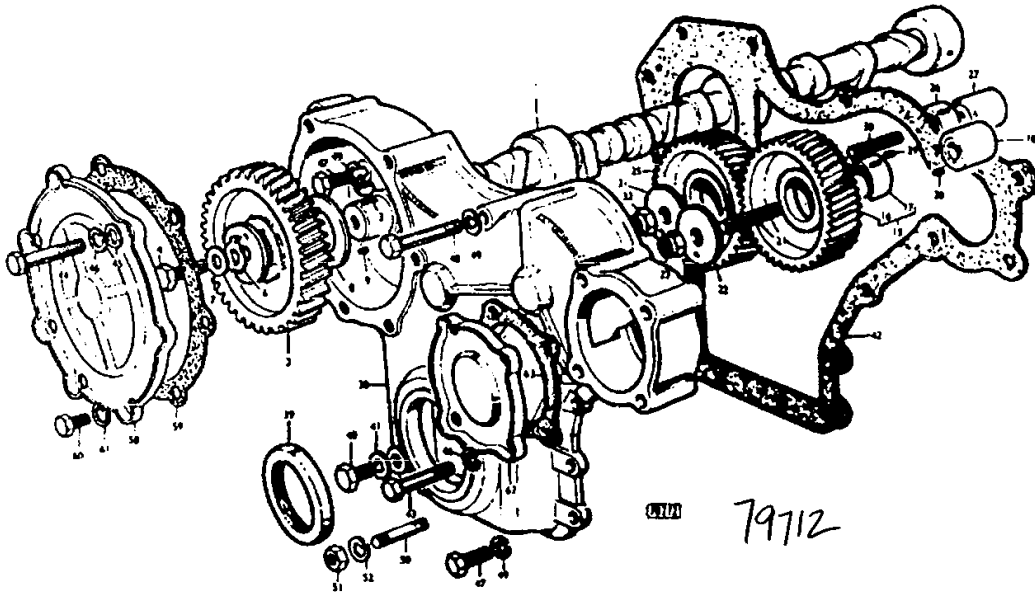
Imprimé en FRANCE
F4

CYLINDER HEAD COVER

Item	Part Number	Qty	Description	Comments
	37188186	1	COVER	[B]
1	37188127	1	COVER	[A]
2	36811412	1	Joint	
3	2487845	1	Cap	INCL. 4,5
4	2487845	1	Cap	[C]
5	24870002	1	Joint	
6	2174018	6	SCREW	
7	0920002	6	Washer	
8	0920052	6	Washer	
9	0202076	1	Hose	[A]
10	0180106	2	Clip	[A]
11	35736169	1	Pipe	[A]
12	0746253	1	Screw	[A]
13	0920053	1	Washer	[A]
14	0180063	1	Clip	[A]
15	2652845	1	Breather	[A]
16	37335125	1	Clip	[A]
17	2174565	1	Screw	[A]
18	0920051	1	Washer	[A]
19	0576053	1	Nut	[A]
	33872313	1	PIPE	[B]
20	33872519	1	Pipe,Breather	[B]
21	31754117	1	SPRING	[B]
22	2481804	1	Clamp	[B]
	35731151	1	PIPE	[B]
23	35731149	1	CLAMP	[B]
24	87225	1	SHAFT	INCL. 25 TO 38
25	58768	1	Rocker Shaft	INCL. 26, 27
26	58768	1	Rocker Shaft	[D]
27	0650507	2	Plug	
28	35511111	1	PIPE	
29	37521321	6	BRACKET	
30	37371271	6	Lever	
31	37371281	6	Lever	
32	33117415	2	Washer	
33	0170151	2	Circlip	
34	0720579	12	Screw	
35	0576052	12	Nut	
36	31744123	4	Spring	
37	31743108	2	Spring	
38	0726504	1	Setscrew	
39	31434307	12	Pushrod	
40	31434163	12	Tappet	[E]
41	33811113	1	Olive	
42	0826621	6	Stud	
43	0920006	6	Washer	
44	0576054	6	Nut	

[A]
 UP TO SERIAL NO. 354 UA 42211
 [B]
 FROM SERIAL NO. 354 UA 42212
 [C]
 NOT SERVICED ORDER 2487845
 [D]
 NOT SERVICED ORDER 58768
 [E]
 REPAIR AND REPLACE 31434162

DISTRIBUTION
 STEURGETRIEBE
 DISTRIBUCION
 TIMING GEAR

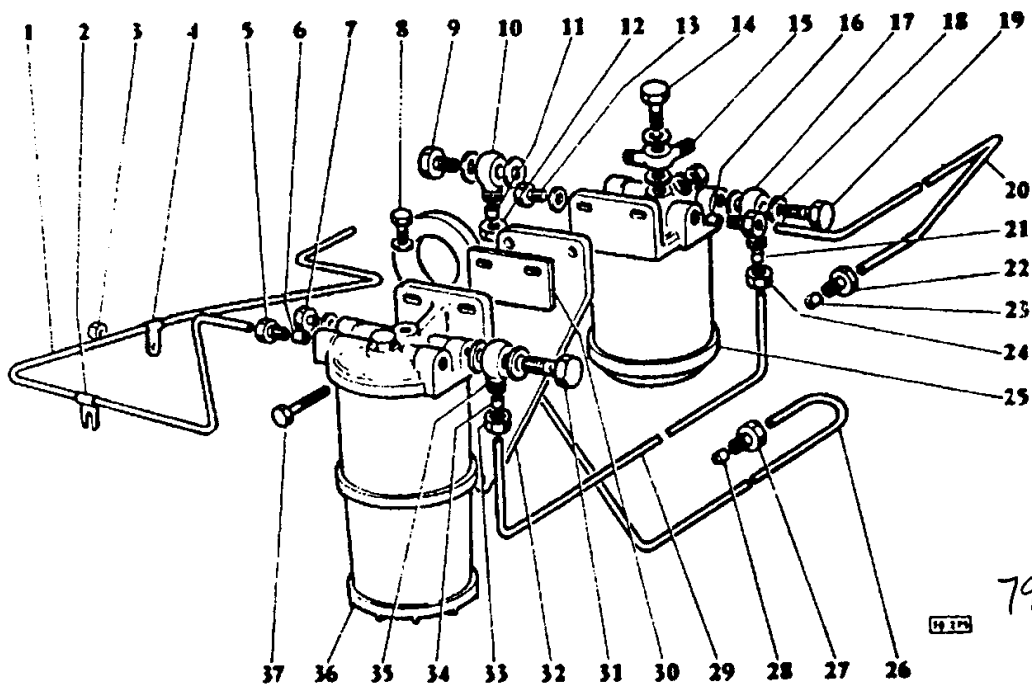


- 1
- 2
- 3
- 4
- 5
- 6
- 7
- 8
- 9
- 15
- 16
- 17
- 18
- 20
- 21
- 22
- 23
- 24
- 25
- 26
- 27
- 29
- 30
- 31
- 32
- 38
- 39
- 40
- 41
- 42
- 43
- 44
- 45
- 46
- 47
- 48
- 49
- 50
- 51
- 52
- 59
- 60
- 61
- 62
- 63

TIMING GEAR-

Item	Part Number	Qty	Description	Comments
1	31416221	1	Camshaft	
2	31171353	1	Gear,Camshaft	
3	0500012	1	Woodruff Key	
4	2182122	1	Setscrew	
5	33153128	1	Washer	
6	31733121	1	Washer	
7	33115408	1	Washer	
8	33153121	1	Washer	
9	0619844	1	Dowel	
15	41115006	1	Gear	
16	41115006	1	Gear	GEAR NO LONGER AVAIL., ORDER NO. 15
17	31134121	1	Bush	
18	33246423	1	HUB	
20	0350553	1	Dowel	
21	32526316	1	Stud	
22	33153149	1	WASHER	
23	2211325	1	NUT	
24	41115007	1	Gear	
25	41115007	1	Gear	GEAR NO LONGER AVAIL., ORDER NO. 24
26	31134121	1	Bush	
27	33246423	1	HUB	
29	0350553	1	Dowel	
30	32526316	1	Stud	
31	33153149	1	WASHER	
32	2211325	1	NUT	
38	37161174	1	Housing	
39	32116	1	SEAL	
40	0746251	1	Setscrew	
41	2411152	1	Washer	
42	36814124	1	Joint	
43	0096238	4	Bolt	
44	0096238	2	Bolt	
45	0920003	1	Washer	
46	0920053	6	Washer	
47	0746255	8	Setscrew	
48	0096237	1	Bolt	
49	0920053	9	Washer	
50	0826208	2	Stud	
51	0576002	2	Nut	
	37537128	1	Plate	
52	0920053	2	Washer	
59	36826107	1	Joint	
60	0746253	5	Screw	
61	0920053	5	Washer	
62	37556159	1	COVER	
63	36866434	1	Joint	

TUBULURES D'ALIMENTATION
 LEITUNGEN
 SISTEMA DEL COMBUSTIBLE
 FUEL OIL PIPES



- 1
- 2
- 3
- 4
- 5
- 6
- 7
- 8
- 9
- 10
- 11
- 12
- 13
- 14
- 15
- 16
- 17
- 18
- 19
- 20
- 21
- 22
- 23
- 24
- 25
- 26
- 27
- 28
- 29
- 30
- 31
- 32
- 33
- 34
- 35
- 36
- 37

FUEL OIL PIPES-

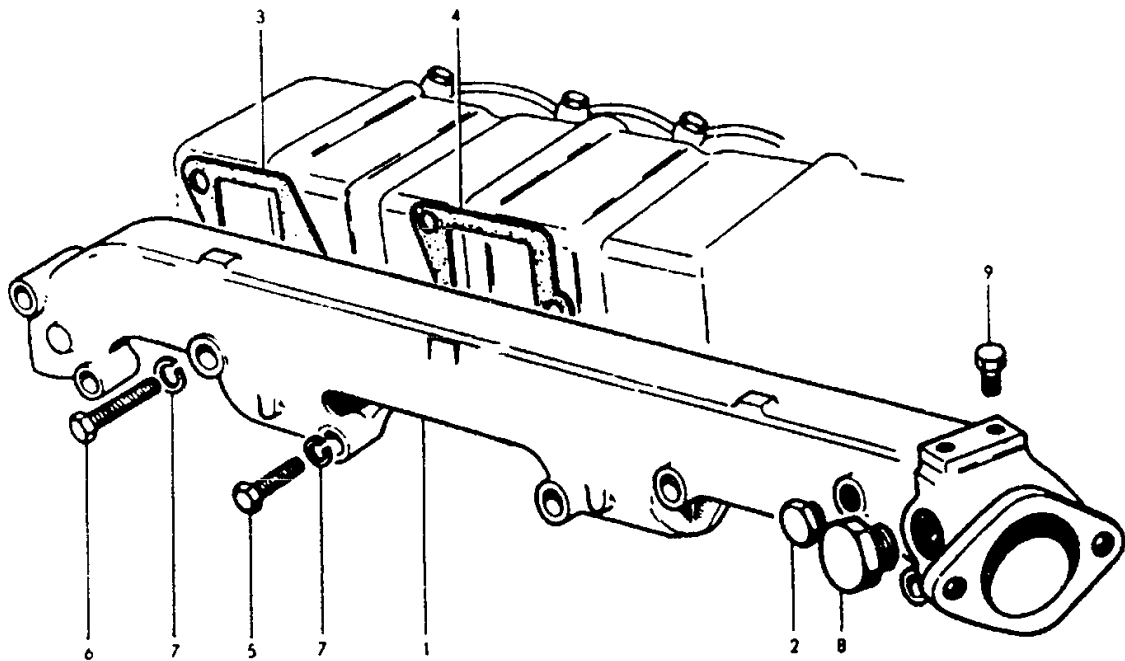
Item	Part Number	Qty	Description	Comments
1	41233223	1	PIPE	INCL 2, 4 TO 6
2	0180001	1	Clip	
3	0576151	1	Nut	
4	0180044	1	Clip	
5	33532129	1	Nut	
6	33811114	1	Bush	
	0920112	1	WASHER	
7	0650204	1	Plug	
	0920155	1	Washer	
8	32161113	1	Plug	
	0920154	1	Washer	
9	32184414	1	BOLT	
10	0201501	1	Connection	
11	33811114	1	Bush	
12	33225414	1	NUT	
	0920112	1	WASHER	
13	0650204	1	Plug	
14	0095344	1	Bolt	
	0920146	2	Washer	
15	0201467	1	BANJO	
16	33811114	1	Bush	
17	0201501	1	Connection	
18	33532129	1	Nut	
	0920154	2	Washer	
19	32184414	1	BOLT	
20	35845003	1	PIPE	
21	33811114	2	Bush	
22	33532129	2	Nut	
23	33811114	2	Bush	
24	33225414	2	NUT	
26	35842011	1	PIPE	
27	33532129	1	Nut	
28	33811114	1	Bush	
29	34237113	1	PIPE	
30	36211119	1	Distance Piece	
	0920154	2	Washer	
31	32184414	1	BOLT	
32	36255519	1	BRACKET	
33	33225414	1	NUT	
34	33811114	1	Bush	
35	0201501	1	Connection	
	0920054	2	Washer	
37	0096434	2	Bolt	
	0576051	2	Nut	

[A]

SEE PAGE 18

ADMISSION D'AIR
 LUFTANSEUGGEHAEUSE
 COLECTOR
 AIR INDUCTION SYSTEM

1
 2
 3
 4
 5
 6
 7
 8
 9



70-271

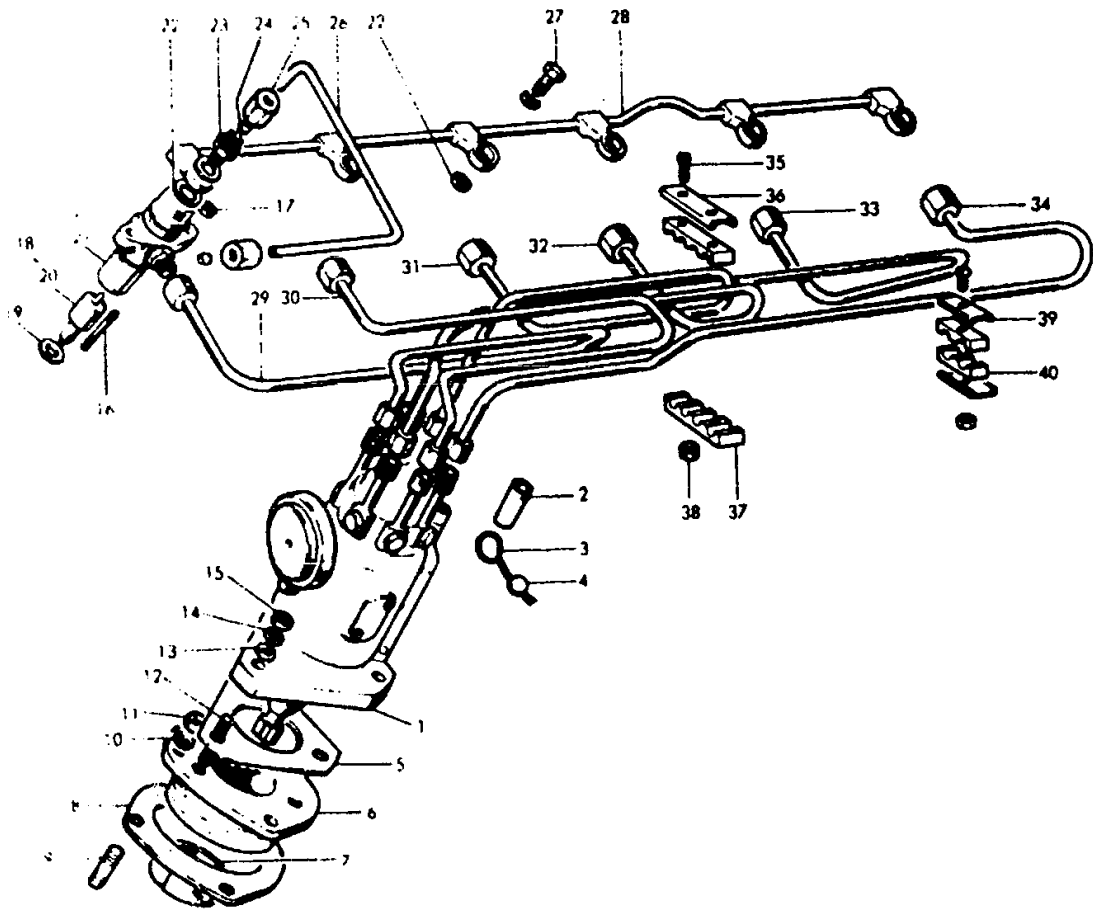
AIR INDUCTION SYSTEM

Item	Part Number	Qty	Description	Comments
	37787241	1	Manifold	
1	37787661	1	Manifold	
2	0650204	1	Plug	
3	37467108	1	Joint	[A]
4	37467109	1	Joint	[B]
5	0096435	1	SCREW	
6	0096441	1	Bolt	
7	0920054	1	Washer	
8	0650722	1	Plug	
	2411152	1	Washer	
9	0748411	1	Screw	

[A]
REPAIR AND REPLACE 36 882 175
[B]
REPAIR AND REPLACE 36 866 447

REF.

INJECTION
 : INSPRITZAUSRUSTUNG
 BOMBA DE INYECCION
 FUEL INJECTION EQUIPMENT



- 1 (A)
- 2 (B)
- 3
- 4
- 5
- 6
- 7
- 8
- 9
- 10
- 11
- 12
- 13
- 14
- 15
- 16 (C)
- 17
- 18
- 19
- 20
- 21
- 22
- 23
- 24
- 25
- 26
- 27
- 28
- 29
- 30
- 31
- 32
- 33
- 34
- 35
- 36
- 37
- 38
- 39
- 40
- (A)
- (B)
- (C)

77-557

Imprimé en FRANCE

A.6354

1646 042 K3 (2) 11/77

F8 Imprimé

FUEL INJECTION EQUIPMENT

Item	Part Number	Qty	Description	Comments
	37632	1	Pump	[B]
1	37659	1	Injection Pump	[A]
2	2644951	1	Sleeve	
3	31718105	1	Wire	
4	31718104	1	Seal	
5	33828108	1	Joint	
6	41425776	1	Adaptor	INCL. 7
7	2511637	1	Sleeve	
8	2415813	1	RING	
	0826243	1	Stud	
9	0826223	1	Stud	
10	0920053	1	Washer	
11	0576002	3	Nut	
12	0826212	1	Stud	
13	0920003	1	Washer	
14	0920053	3	Washer	
15	0576151	3	Nut	
16	0826280	12	Stud	[C]
17	0576002	12	Nut	
18	2645543	6	Atomiser	INCL. 19 TO 21
19	0921173	6	Washer	
20	2646679	6	Holder	
21	2646460	6	Holder	
22	0921176	12	Washer	
23	0201526	1	Union	
24	33811112	2	Olive	
25	33225412	2	Union Nut	
26	34413409	1	PIPE	
27	0095315	5	Banjo Bolt	
28	35587337	1	PIPE	
29	35355299	1	PIPE	
30	35355297	1	PIPE	
31	35355296	1	PIPE	
32	35355316	1	PIPE	
33	35355315	1	PIPE	
34	35355317	1	PIPE	
35	0726505	4	Setscrew	
36	36511122	2	PLATE	
37	36845114	2	Damper	
38	2211291	4	Nut	
39	36511123	4	Plate	
40	36844116	4	Block	

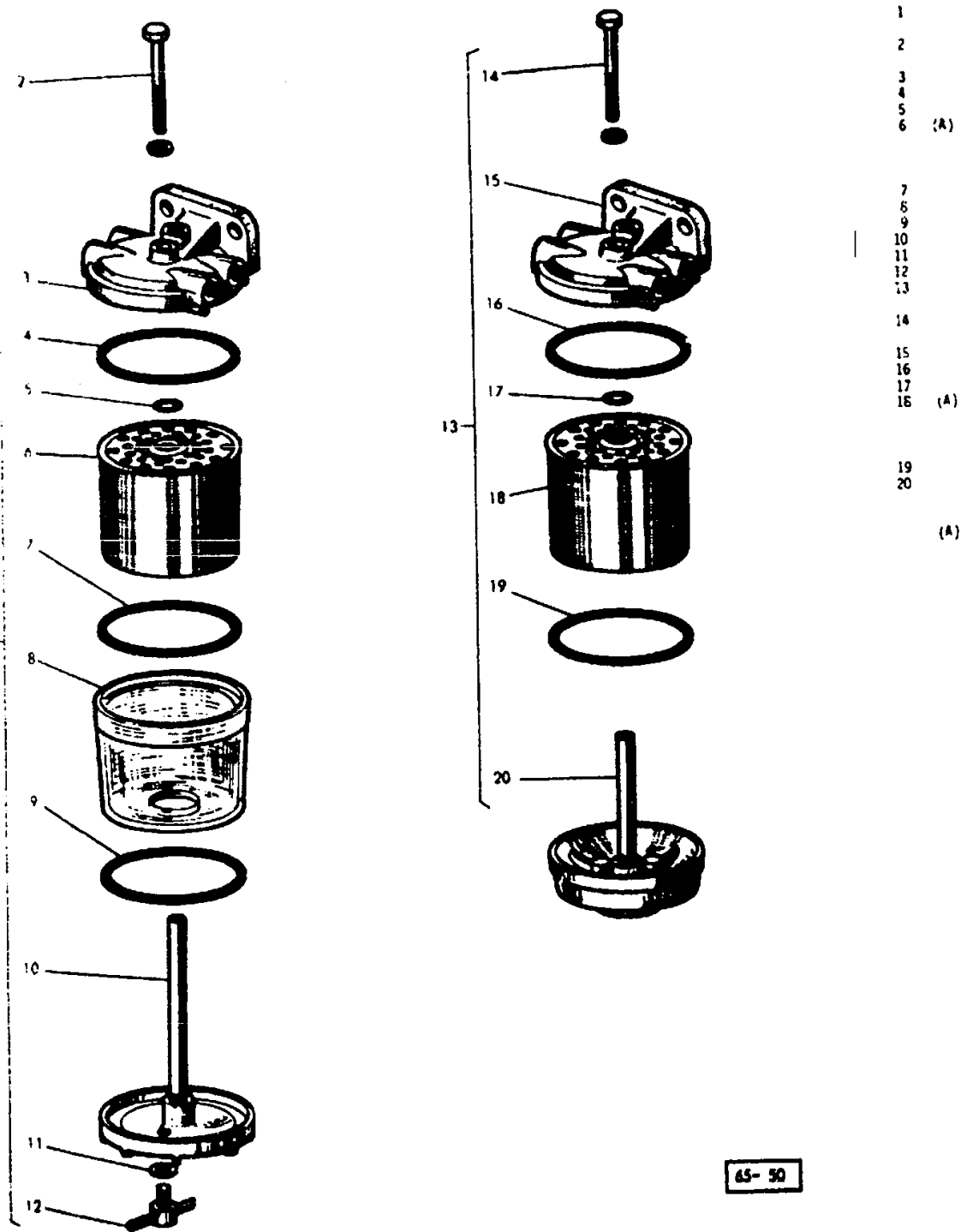
[A]
REPAIR AND REPLACE 37 651
[B]
REPAIR AND REPLACE 37 582
[C]
REPAIR AND REPLACE 0826 243

19

18

REF.

FILTRES A COMBUSTIBLE
 KRAFTSTOFFFILTER
 FILTROS DEL COMBUSTIBLE
 FILTERS OIL



65-50

Imprimé en FRANCE

A.6354

1646 042 MS -2- 11/77

F9

Imprimé en

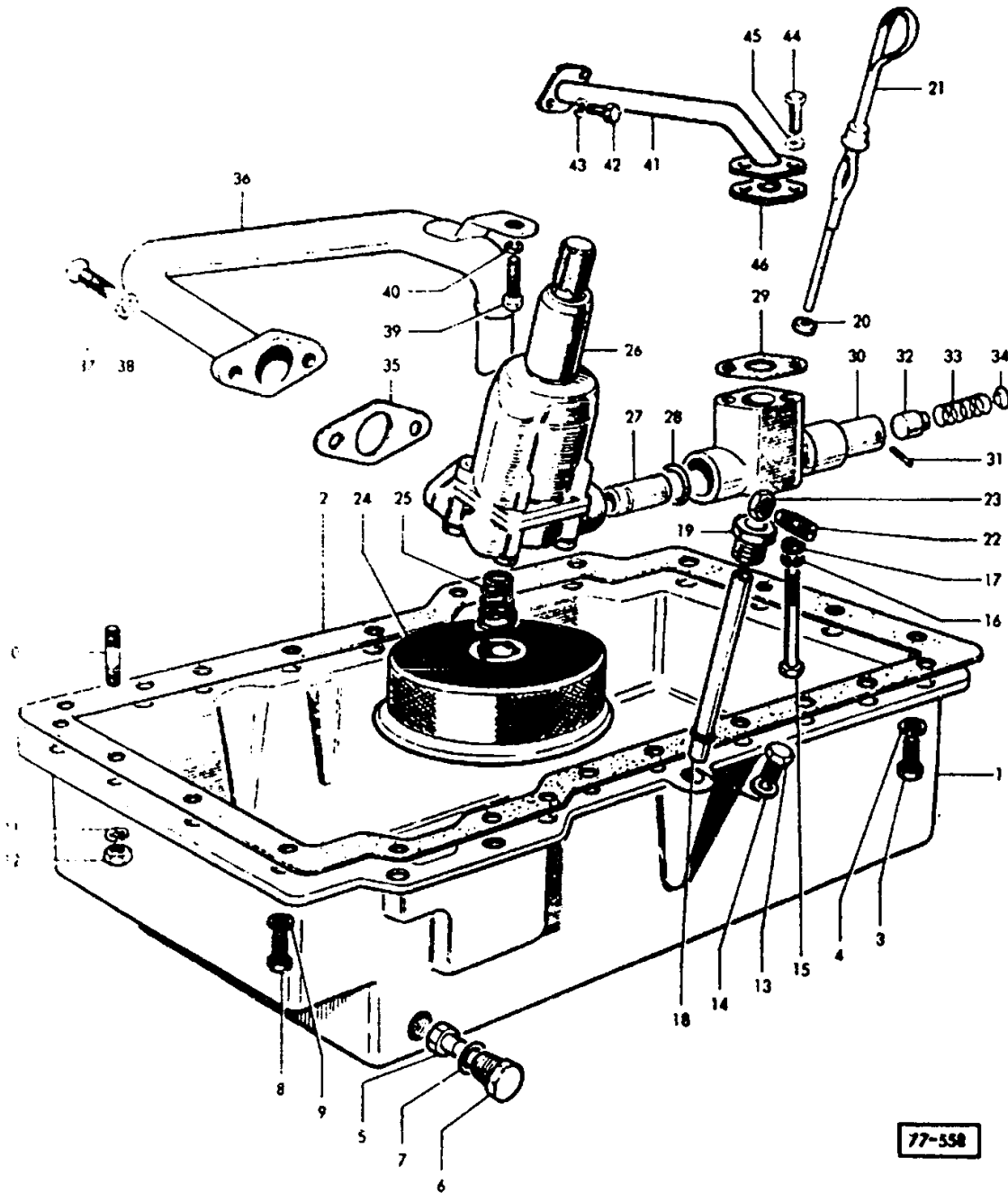
MASSEY FERGUSON**MF 507/520 COMBINE ENGINE, A6.354 - 1646042****1646042****FILTERS OIL-****9**

Item	Part Number	Qty	Description	Comments
1	2656614	1	PRIMARY FILTER	INCL 1 TO 12
	26560016	1	WASHER	
2	26560053	1	BOLT	
3	1632799M1	1	HEAD CASTING	
4	0490786	1	Joint	
5	26560014	1	Seal	
	960689M91	1	PACK	INCL 3 NO 6
	1640997M91	1	PACK	INCL 75 NO. 6
7	0490014	1	Joint	
8	26560075	1	GLASS BOWL	
9	0490014	1	Joint	
10	1026560M91	1	Base	
11	26560067	1	WASHER	
12	26560066	1	Plug	
13	2656613	1	SECONDARY FILTR	INCL 14 TO 20
	26560016	1	WASHER	
14	26560053	1	BOLT	
15	1632799M1	1	HEAD CASTING	
16	0490786	1	Joint	
17	26560014	1	Seal	
	960689M91	1	PACK	INCL 3 NO. 18
	1640997M91	1	PACK	INCL 75 NO. 18
19	0490786	1	Joint	
20	26550039	1	Base	

[A]
ORDER PACK

REF.

CARTER D'HUILE
 SCHMIERERICHTUNG
 CARTER DE MOTOR
 LUBRICATING OIL SUMP



- 1 (A)
- 2 (B)
- 3 (C)
- 4 (B)
- 5 (B)
- 6 (C)
- 7 (B)
- 8 (C)
- 9 (C)
- 10 (C)
- 11 (C)
- 12 (C)
- 13 (C)
- 14 (C)
- 15 (C)
- 16 (C)
- 17 (G)
- 18 (H)
- 19 (G)
- 20 (G)
- 21 (H)
- 22 (H)
- 23 (H)
- 24 (H)
- 25 (H)
- 26 (H)
- 27 (H)
- 28 (H)
- 29 (J)
- 30 (K)
- 31 (K)
- 32 (L)
- 33 (L)
- 34 (L)
- 35 (L)
- 36 (L)
- 37 (L)
- 38 (L)
- 39 (L)
- 40 (L)
- 41 (L)
- 42 (L)
- 43 (L)
- 44 (L)
- 45 (L)
- 46 (L)

77-558

Imprimé en FRANCE

A. 6354

1646 042 K3 (2) 11/77

FIO Imprimé en

LUBRICATING OIL SUMP

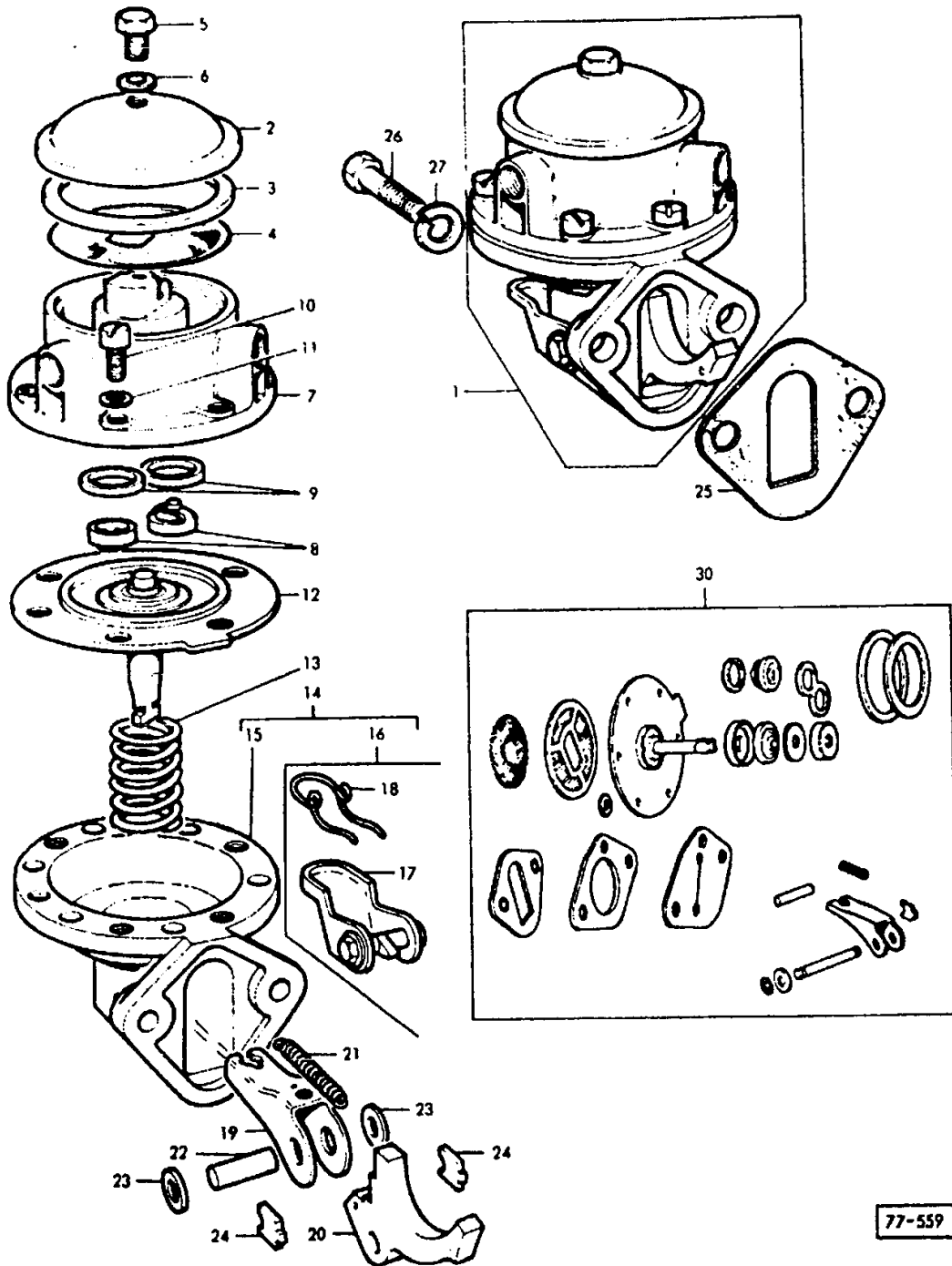
Item	Part Number	Qty	Description	Comments
	37171552	1	Sump	[B]
1	41424044	1	Sump	[A] INCL 5
	41424044	1	Sump	[C]
	36816702	1	Joint	[B]
2	36816707	1	Joint	[D]
	36816707	1	Joint	[C]
	0746254	22	Setscrew	[E]
3	0746254	22	Setscrew	
	0746254	21	Setscrew	[F]
4	0920053	22	Washer	
5	2137436	2	Insert	
	2487004	2	Plug	[C]
6	2487004	1	Plug	[B]
	2411160	2	WASHER	[C]
7	2411160	1	WASHER	[B]
8	0746255	1	Setscrew	
9	0920003	1	Washer	
10	0826214	4	Stud	
11	0920053	4	Washer	
12	0576002	4	Nut	
13	32161317	1	Plug	[C]
14	0921167	1	Ring	[C]
15	0096238	2	Bolt	
16	0920053	2	Washer	
17	2131325	2	WASHER	
	33435119	1	PIPE	[H]
18	33435127	1	PIPE	[G]
19	33533103	1	Nut	
20	33812108	1	Washer	
	31785006	1	Dipstick	[H] INCL. 20
21	31736426	1	Dipstick	[G] INCL. 20
22	32114122	1	Screw	
23	0576059	1	Nut	
24	37725435	1	Strainer	
25	31747113	1	SPRING	
26	41314131	1	Pump	
	33261124	1	PIPE	
27	33247116	1	PIPE	
28	2415713	2	RING	
29	36831118	1	Joint	
	41371115	1	Housing	[K] INCL 31 TO 34
30	41371158	1	Housing	[J] INCL 31 TO 34
31	0610036	1	Split Pin	
32	32712709	1	Plunger	
33	31744205	1	SPRING	[L]
34	33157115	1	CAP	
35	36832118	1	Joint	
36	35745419	1	PIPE	
37	0746255	2	Setscrew	
38	0920053	2	Washer	
39	0746252	1	Screw	
40	0920053	1	Washer	
41	35727108	1	PIPE	
42	0096033	2	Screw	
43	0920052	2	Washer	
44	0746052	2	Bolt	
45	0920052	2	Washer	
46	36831115	2	Joint	

[A]
REPAIR AND REPLACE 37 171 552
[B]
UP TO SERIAL NO. 354 UA 33199
[C]
FROM SERIAL NO. 354 UA 33200

LUBRICATING OIL SUMP

Item	Part Number	Qty	Description	Comments
				[D] REPAIR AND REPLACE 36 816 702
				[E] UP TO SERIAL NO. 354 UA 42212
				[F] FROM SERIAL NO. 354 UA 42213
				[G] UP TO SERIAL NO. 354 UA 330685
				[H] FROM SERIAL NO. 354 UA 330686
				[J] REPAIR AND REPLACE 41 371 113
				[K] REPAIR AND REPLACE 41 371 114
				[L] REPAIR AND REPLACE 31 744 205

POMPE D'ALIMENTATION
 KRAFTSTOFFFOERDERPUMPE
 BOMBA ALIMENTACION
 LIFT PUMP



- 1
- 2 (A)
- 3 (A)
- 4 (A)
- 5 (A)
- 6 (A)
- 7 (A)
- 8 (A)
- 9 (A)
- 10 (A)
- 11 (A)
- 12 (A)
- 13 (A)
- 14 (A)
- 15 (A)
- 16 (A)
- 17 (A)
- 18 (A)
- 19 (A)
- 20 (A)
- 21 (A)
- 22 (A)
- 23 (A)
- 24 (A)
- 25 (A)
- 26 (A)
- 27 (A)
- 30 (A)

77-559

LIFT PUMP

Item	Part Number	Qty	Description	Comments
1	2641372	1	Pump	INCL 2 TO 24
2	2641372	1	Pump	[A] COVER NO LONGER AVAIL., ORDER PUMP ASY.
3	2641372	1	Pump	[A] JOINT NO LONGER AVAIL., ORDER PUMP ASY.
4	2641372	1	Pump	[A] FILTER NO LONGER AVAIL., ORDER PUMP ASY.
5	2641372	1	Pump	[A] SCREW NO LONGER AVAIL., ORDER COMP. PUMP ASY.
6	2641372	1	Pump	[A] WASHER NO LONGER AVAIL., ORDER COMP. PUMP ASY.
7	2641372	1	Pump	[A] INCL. 8, 9 HOUSING NO LONGER AVAIL., ORDER PUMP ASY.
8	2641372	2	Pump	[A] VALVE NO LONGER AVAIL., ORDER COMP. PUMP ASY.
9	2641372	2	Pump	[A] JOINT NO LONGER AVAIL., ORDER COMP. PUMP ASY.
10	2641372	6	Pump	[A] SCREW NO LONGER AVAIL., ORDER COMP. PUMP ASY.
11	2641372	6	Pump	[A] WASHER NO LONGER AVAIL., ORDER COMP. PUMP ASY.
12	2641372	1	Pump	[A] DIAPHRAGM NO LONGER AVAIL., ORDER PUMP ASY.
13	0780224	1	Spring	
14	2641372	1	Pump	[A] FOR BODY, INCL. 15 AND 16. BODY NO LONGER AVAIL., ORDER COMP. PUMP ASY.
15	2641372	1	Pump	[A] BODY NO LONGER AVAIL., ORDER COMP. PUMP ASY.
16	2641372	1	Pump	[A] SET PARTS NO LONGER AVAIL., ORDER PUMP ASY. INCL. 17 AND 18
17	2641372	1	Pump	[A] PRIMING LEVER NO LONGER AVAIL., ORDER PUMP ASY.
18	2641372	1	Pump	SPRING NO LONGER AVAIL., ORDER PUMP ASY.
19	2641372	1	Pump	[A]

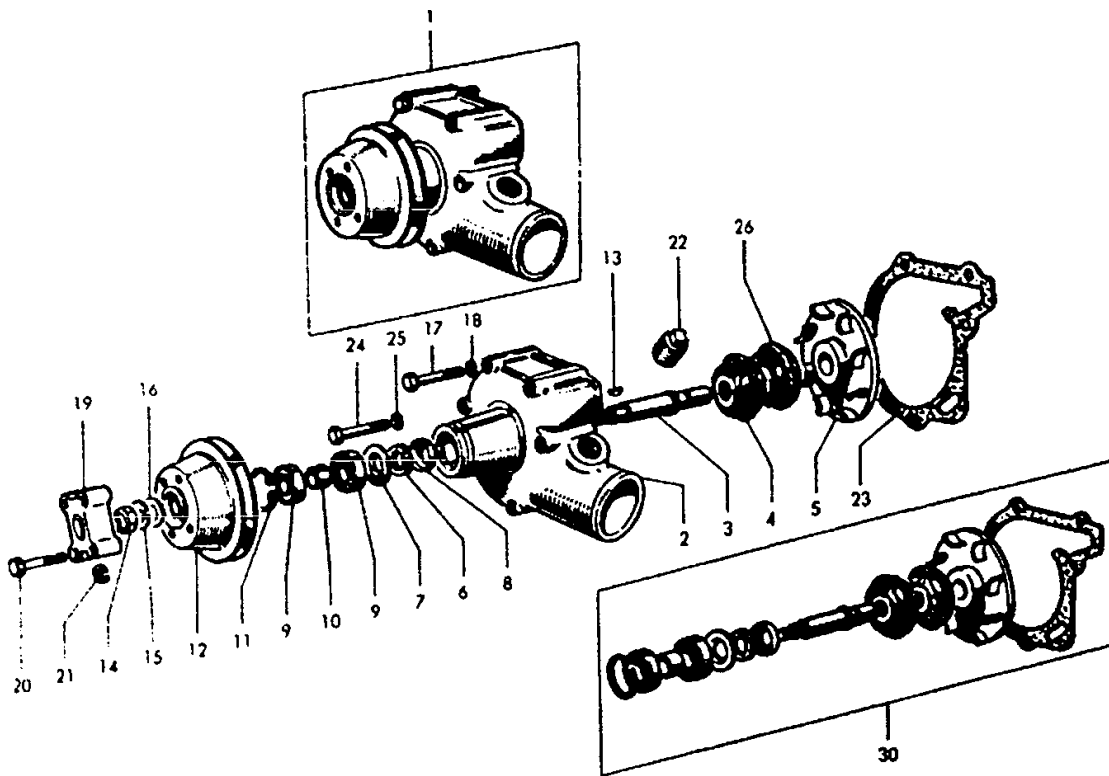
LIFT PUMP

Item	Part Number	Qty	Description	Comments
20	2641372	1	Pump	LEVER NO LONGER AVAIL., ORDER COMP. PUMP ASY. [A] ARM NO LONGER AVAIL., ORDER COMP. PUMP ASY. [A]
21	2641372	1	Pump	SPRING NO LONGER AVAIL., ORDER COMP. PUMP ASY. [A]
22	2641372	1	Pump	PIN NO LONGER AVAIL, ORDER PUMP ASY. [A]
23	2641372	2	Pump	WASHER NO LONGER AVAIL., ORDER COMP. PUMP ASY. [A]
24	2641372	2	Pump	RETAINER PIN NO LONGER AVAIL., ORDER PUMP ASY. [A]
25	36862165	1	GASKET	
26	0096231	2	Setscrew	
27	33114412	2	Washer	
30	26410045	1	Kit, Repair	

[A]
NOT SERVICED ORDER 2641372

REF

POMPE A EAU
 WASSER PUMP
 POMPA DE AGUA
 WATER PUMP



- 1 (A)
- (B)
- 2 (C)
- 3 (DE)
- 4 (E)
- 5 (DE)
- 6 (E)
- 7 (DE)
- 8 (DE)
- 9 (DE)
- 10 (DE)
- 11 (DE)
- 12
- 13
- 14
- 15
- 16
- 17
- 18
- 19
- 20
- 21
- 22
- 23 (E)
- 24
- 25
- 26 (F)
- 30
- (A)
- (B)
- (C)
- (D)
- (E)

77-560

Imprimé en FRANCE

A.6354

1646 042 M3 (2) 11/77

F12 Imprimé

WATER PUMP

Item	Part Number	Qty	Description	Comments
	41312557	1	Water Pump	[B] INCL. 2 TO 18
1	41313018	1	Water Pump	[A] INCL. 2 TO 11
2	37711321	1	Body Pump	[C]
3	32764124	1	Shaft	[D, E]
	2415216	1	Seal	[E]
4	2415209	1	SEAL	[E]
5	37447632	1	Impeller	[D, E]
6	33813313	1	SEAL	[E]
7	33157109	1	WASHER	[D, E]
8	33157108	1	RETAINER	[D, E]
9	2524406	2	Bearing	[D, E]
10	33143409	1	Spacer	[D, E]
11	0170040	1	Circlip	[D, E]
12	31146804	1	PULLEY	
13	0500006	1	Woodruff Key	
14	0576007	1	Nut	
15	0920058	1	Washer	
16	0920009	1	Washer	
17	0746213	1	Screw	
18	0920053	1	Washer	
19	37413571	1	Distance Piece	
20	0096237	4	Bolt	
21	0920053	4	Washer	
22	2431154	1	Plug	
23	36867108	1	Joint	[E]
24	0746213	5	Screw	
25	0920053	5	Washer	
26	2417208	1	Seal	[E]
30	89036	1	KIT REPAIRS	

[A]
REPAIR AND REPLACE 41 312 557

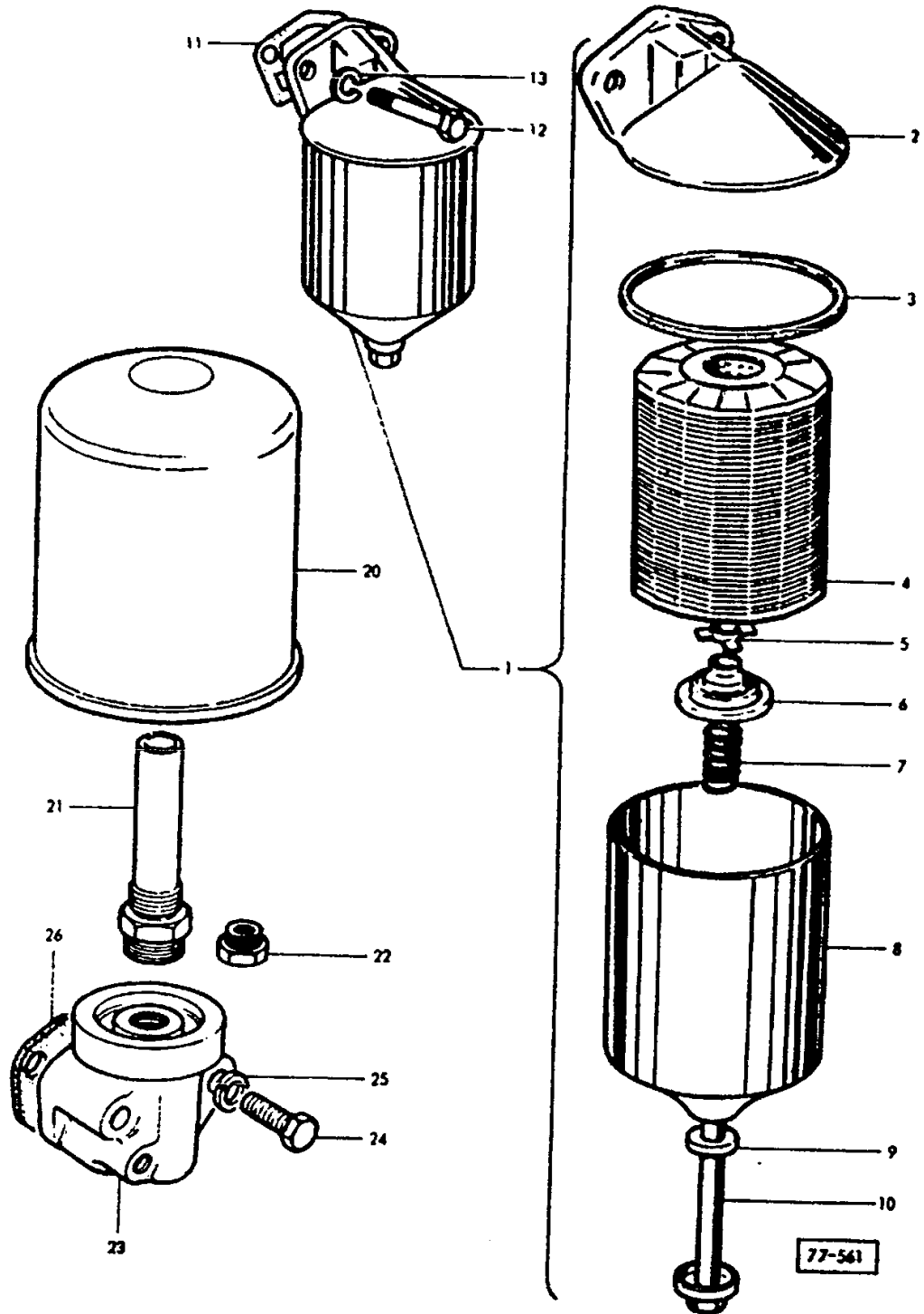
[B]
REPAIR AND REPLACE 41 312 906 ,DISTANCE PIECE 37 3 163

[C]
NOT SERVICED ORDER 41 313 018

[D]
FOR 41 313 018, NOT SERVICED ORDER 89 036

[E]
INCLUDED IN 89 036

FILTRE A MUELE
 OIL FILTER
 FILTRO DE ACEITE
 ÖL-FILTER



- 1
- 2
- 3
- 4
- 5
- 6
- 7
- 8
- 9
- 10
- 11
- 12
- 13
- 20
- 21
- 22
- 23
- 24
- 25
- 26

Imprimé en FRANCE

A.6354

1646 042 113 (2) 11/77

F13 Imprimé

OIL FILTER

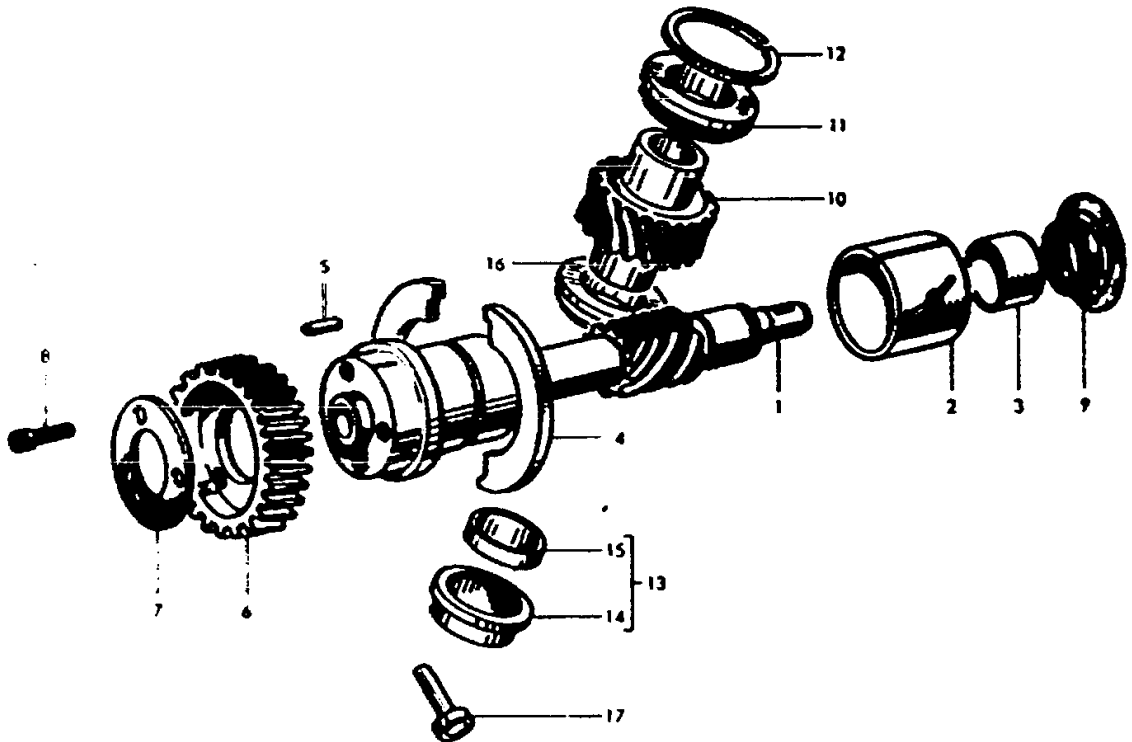
Item	Part Number	Qty	Description	Comments
1	2654162	1	Filter	INCL. 2-10
2	26540133	1	Filter Head	
3	0490725	1	SEAL	
4	26540153	1	Element	
5	0941148	1	Disc	
6	0941138	1	Washer	
7	26540022	1	SPRING	
8	26540024	1	Container	INCL. 5-10
9	0921061	1	GASKET	
10	26540025	1	Screw	
11	36862525	1	Joint	
12	0096631	2	SCREW	
13	33115118	2	Washer	
	2654347	1	Filter	
20	1639386M91	1	Filter	[A]
21	36311118	1	PIPE	[B]
	33286126	1	Adaptor	
22	33555131	1	Adaptor	
	37764181	1	Filter Head	[A] INCL. 33 555 131
23	37763471	1	HEADCASTING	[B]
	0746610	2	Bolt	
24	0096631	2	SCREW	
	0920055	2	Washer	
25	33115118	2	Washer	
26	36862517	1	Joint	

[A]
REPAIR AND REPLACE 2 654 162
[B]
WITH 2654 347

102

ENTRAINEMENT AUTOMATIQUE
 MOTEUR
 TRANSMISSION
 AXILE, CAY DRIVE

1
 2
 3
 4
 5
 6
 7
 8
 9
 10
 11
 12
 13
 14
 15
 16
 17



77-562

Imprimé en FRANCE

A.6354

1646 042 M3 (2) 11/77

FLA

AUXILIARY DRIVE

Item	Part Number	Qty	Description	Comments
1	31173422	1	SHAFT	[A]
2	31134129	1	Bush	
3	2511447	1	Bush	
4	36178132	1	PLATE	
5	2116024	1	Dowel	
6	31171671	1	Gear	
7	33153134	1	PLATE	
8	2172688	1	SCREW	
9	2415335	1	Seal	[B]
	41115367	1	Gear	[D]
10	41115342	1	Gear	[C]
11	33411572	1	THRUST	[E]
12	0640011	1	Ring	
13	41425632	1	Collar	[F, C] INCL. 14, 15
15	2511636	1	Bush	[C]
16	33422139	1	Collar	[D]
17	33435133	1	PIPE	

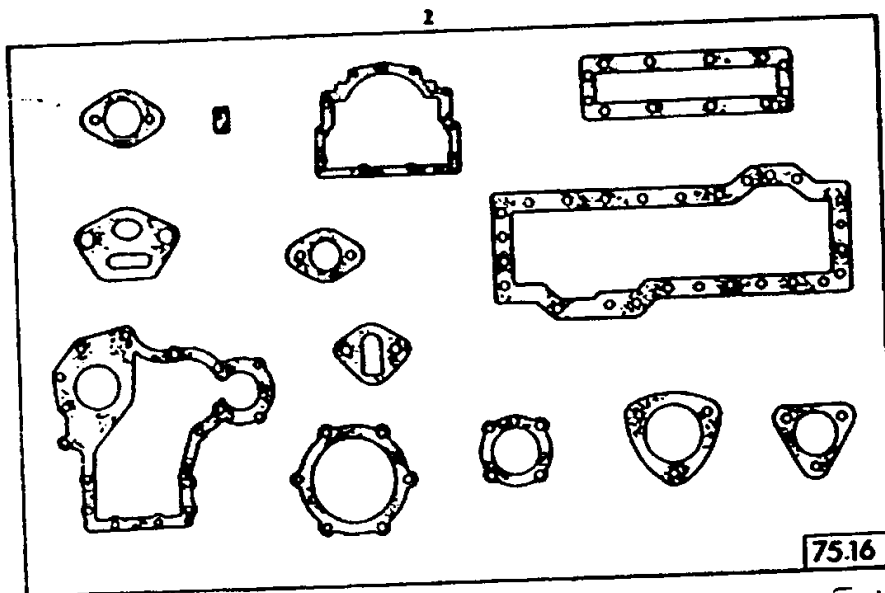
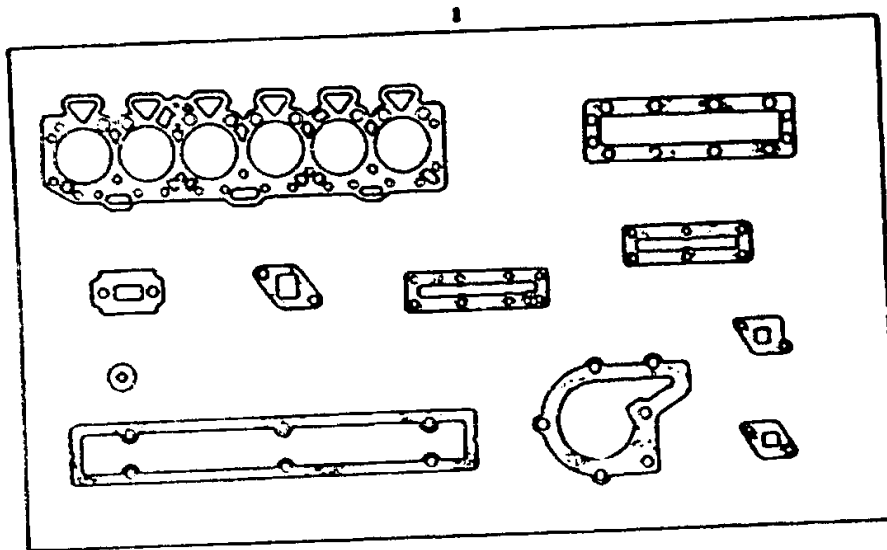
[A]
REPAIR AND REPLACE 31173409
[B]
REPAIR AND REPLACE 2415503
[C]
UP TO SERIAL NO. 354 UA 380158
[D]
FROM SERIAL NO. 354 UA 380159
[E]
REPAIR AND REPLACE 33411571
[F]
REPAIR AND REPLACE 41425732
[G]
NOT SERVICED ORDER 41425632

REF

POEMETTES DE JOINTS
 DICHTUNGSSETZE
 JUEGO DE JUNTAS
 SET, JOINTS AND GASKETS

1. 143
 2. 181
 3. 182

1. 143
 2. 181
 3. 182



75-16

MASSEY FERGUSON**MF 507/520 COMBINE ENGINE, A6.354 - 1646042****1646042****SET JOINTS AND GASKETS-****15**

Item	Part Number	Qty	Description	Comments
1	68261	1	SET JOINTS	[A]
	94432	1	SET JOINTS	[C]
2	94493	1	SET JOINTS	[B]

[A]
REPAIR AND REPLACE 88 984

[B]
REPAIR AND REPLACE 92 423

[C]
REPAIR AND REPLACE 89 276